

# 19.4" Modero® X Series Panoramic Tabletop Touch Panel

MXT-1900L-PAN (FG5968-02)



## Overview

The MXT-1900L-PAN / 19.4" Modero X® Series Panoramic Tabletop Touch Panel is a premium user interface designed specifically for dedicated room control. This elegantly-styled touch panel provides fast and smooth animations and transitions, along with elegant styling that looks great in any setting.

The Modero X Series Touch Panels provide several industry firsts including a beautiful, panoramic capacitive multi-touch screen that provides users access to multiple applications with minimal navigation. It is hardware-ready to support Near Field Communication™ (NFC) Technology to allow personalization of the user experience and productivity-enhancing capabilities through integration with NFC capable personal devices. The distinctive, low-profile design is engineered to sit perfectly on a table without obstructing views, and comes with a variety of mounting options for added security and convenience.

## Common Applications

- The MXT-1900L-PAN is ideal for boardrooms, conference rooms or auditoriums where a panoramic control surface is needed to provide access to multiple functions simultaneously while remaining elegantly unobtrusive.
- In Higher Education, the MXT-1900L-PAN is ideal for lecture halls, auditoriums, performing arts theaters and boardrooms that require extensive control capabilities.
- In residences, it is perfect for main living areas such as kitchens, living rooms, home theaters or home offices where the panoramic control surface can be used to manage systems throughout the house.

**Features**

- **Panoramic Control Surface** – Combined with the new PanTastic UI, the panoramic touch panels take the user experience to a whole new level with an impressive control surface to perform activities much in the same way you use a computer – multi-tasking with dedicated spaces
- **Graphic Leaps & Bounds** – The Modero X Series features intuitive UI functionality including: gesturing, swiping, dynamic reordering and enhanced animation capabilities
- **Latest Communication Technologies** – Supports HD video chat and conferencing using integrated camera (tabletop and landscape versions only) and supports Near Field Communication (NFC). Also supports external phone connections via Bluetooth or USB and HD video streaming
- **Perfect From Any Angle** – Includes In-Plane Switching (IPS), which delivers the widest viewing angles and the most accurate color reproduction on the market
- **Enhanced Usability** – External phone connections via Bluetooth or USB and HD video streaming

**Specifications**

TOUCH SCREEN DISPLAY	
Display Type	TFT Active Matrix Color LCD with In-plane Switching Technology (IPS)
Display Size (WH)	Landscape: 20.4" x 6.9" (519 mm x 175 mm), 20.4" (518 mm) diagonal
Viewable Area (WH)	Landscape: 18.7" x 5.9" (475 mm x 151 mm), 19.4" (493 mm) diagonal
Resolution (WH)	Landscape: 1920x530
Aspect Ratio (WH)	Landscape: 18:5
Brightness	350 cd/m2
Contrast Ratio	1000:1
Color Depth	16.7M colors
Illumination	LED
Touch Overlay	Projected Capacitive, multi-touch support, 3 simultaneous max
Viewing Angle	Vertical ± 89°, Horizontal ± 89°

MEMORY	
SDRAM	512 MB
Flash	4 GB
Maximum Project Size	2.4 GB flash available to user

COMMUNICATIONS	
ETHERNET	10/100 port, RJ-45 connector. Supported IP and IP-Based Protocols: UCP, TCP, ICMP, ICSP, IGMP, DHCP, Telnet, FTP, DNS, RFB (for VNC), HTTP
USB	(3) USB host 2.0, Type A ports: Firmware upgrade, Touch Panel File Transfer, JPEG Image Viewer, HID Peripherals, USB Audio Output for Headsets  (1) Micro-USB device port: video output from on-board camera, USB Audio from on-board microphone to host device
Near Field Communication (NFC)	Supports standards ISO/IEC 15693, ISO/IEC 14443A, ISO/IEC 14443B; Unique Identifier (UID), typ range = .25", max = .5"
Bluetooth	Mouse/Keyboard: HID Profile v1.1, requires MXA-BT Bluetooth Adapter (FG5968-19)  Handset: Hands Free Profile v1.5, Headset Profile v1.2,

	requires MXA-BT Bluetooth Adapter (FG5968-19) and MXA-HST Bluetooth Handset (FG5968-17)
--	-----------------------------------------------------------------------------------------

VIDEO	
Supported Video Codecs	MPEG2-TS: MPEG-2 Main Profile @High Level up to 720p at 25 fps (decode only)  MPEG-2-TS: H.264 High Profile @Layer 4, AAC-LC up to 720p at 25 fps (encode/decode)  MJPEG up to 720p at 25 fps (decode only)
Supported Video Transport Streams	MPEG-TS for MPEG2 and H.264; HTTP for MJPEG
Max Number of Active Video Streams	One decode plus one encode
Video Output	Camera video output: H.264, up to 720p@25 fps via Micro-USB port only (controlled by host device)
Video Conferencing	Panel-to-panel and video chat

AUDIO	
Microphone	-42dB +- 3dB sensitivity FET microphone
Speakers	4 ohm, 2 Watt, 300Hz cutoff frequency
Supported Audio Codecs	MP2 Layer I and II, MP3 (8 kHz, 11.025 kHz, 12 kHz, 16 kHz, 22.05 kHz, 24 kHz, 32 kHz, 44.1 kHz, 48 kHz)  AAC-LC (8 kHz, 96 kHz)  G.711 with $\mu$ Law (VoIP encode/decode at 8kHz)
Audio Output	USB audio out USB port (head/hand set support)
File Formats	WAV, MP3 (as part of touch panel file only - no USB storage)
Intercom	Full Duplex VoIP, SIP v2.0 (supported with AMX-CSG)

GRAPHICS ENGINE	
AMX G4	G4 enhanced feature set supporting multi-touch and gestures, scrolling, transitions - See TPD4 Operations Guide for more information

EMBEDDED APPLICATIONS	
Remote Management	VNC Server, G4 Web Control, AMX Resource Management Suite
Video Conferencing	Panel-to-panel and video chat
Audio Conferencing	Audio (full duplex intercom)

FRONT PANEL COMPONENTS	
Light Sensor	Photosensitive light detector for automatic adjustment of the panel brightness
Proximity Detector	Max range = ~3', typ range = ~1', FOV = ~10 degrees
Camera	HD 720p camera for video conferencing/video chat support
LED Indicators	Camera active indicator
Sleep Button	Sleep button to activate sleep mode and powering off. Also provides access to setup pages (can be disabled)

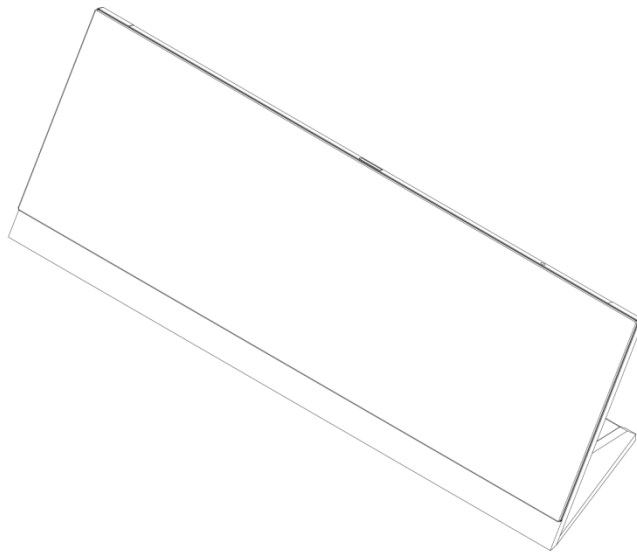
CONNECTIONS	
Ethernet	10/100 port, RJ-45 connector
USB	(3) USB host 2.0, Type A ports (1) Micro USB device port
Power	2-pin, locking 3.5mm Phoenix connector

ENVIRONMENTAL	
Temperature (Operating)	32° F to 104° F (0° C to 40° C)
Temperature (Storage)	4° F to 140° F (-20° C to 60° C)
Humidity (Operating)	20% to 85% RH
Humidity (Storage)	5% to 85% RH
Power ("Heat") Dissipation	On: 109.2 BTU/hr, Standby: 10.6 BTU/hr

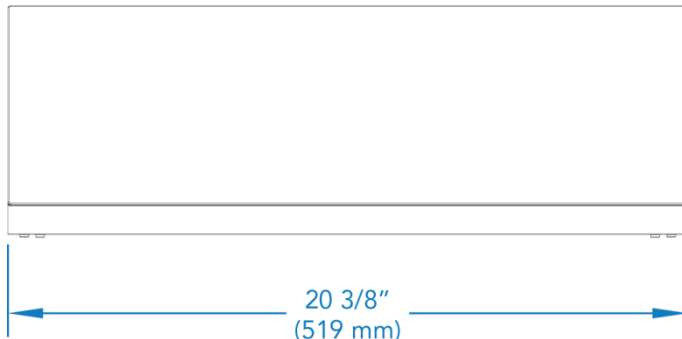
GENERAL	
Dimensions (HWD)	7" x 20 3/8" x 5 5/16" (177 mm x 519 mm x 135 mm)
Weight	9.4 lbs (4.26 Kg)
Power Consumption	Full-On: 32W (12 VDC, 2.7 A), Standby: 3.10 W (12 VDC, 0.3 A)
Start-Up Inrush Current	4.0 A for 80 μsec
External Power Supply Required	Requires one of these AMX power sources (not included): PSR4.4, Power Supply, 13.5 VDC, 4.4 A Power Supply with 3.5 mm Phoenix Connector with Retention Screws (FG423-46) PSN4.4 Power Supply, 4.4 A, 3.5 mm Phoenix, 13.5 VDC (Discontinued) (FG423-45) MXA-MPL Modero X Series Multi Preview Live (FG5968-10) MXA-MP Modero X Series Multi Preview (FG5968-20)
Certifications	FCC Part 15 Class B CE EN 55022 CE EN 55024 CE EN 60950-1 IEC 60950-1 C-Tick CISPR 22 Class B IC UL 60950-1 RoHS WEEE
Included Accessories	Locking 2-pin Phoenix mate (41-0002-SA) MXA-USB-C, USB Port Cover Kit, Modero X Series Touch Panel (FG5968-18) HPG-10-10K, 3/4" Mini-Grommet (FG570-01) MXA-CLK, Modero X Series Cleaning Kit (FG5968-16)
Optional Accessories	<ul style="list-style-type: none"> <li>•MXA-STMK-19, Secure Table Mount Kit, 19.4" Modero X Tabletop (FG5968-65)</li> <li>•MXA-MP, Modero X/S Series Multi Preview (FG5968-20)</li> <li>•MXA-MPL, Modero X/S Series Multi Preview Live (FG5968-10)</li> <li>•PSR4.4, 13.5 VDC, 4.4 A Power Supply with 3.5 mm Phoenix Connector with Retention Screws (FG423-46)</li> <li>•PSN4.4, Power Supply, 4.4 A, 3.5 mm Phoenix, 13.5 VDC (Discontinued) (FG423-45)</li> <li>•HPG-10-10K, 3/4" Mini-Grommet, 10-Pack (FG570-</li> </ul>

	<p>01-10K)</p> <ul style="list-style-type: none"><li>•MXA-BT, Bluetooth USB Adapter for Modero X/S Series (FG5968-19)</li><li>•MXA-CLK, Modero X/S Series Screen Cleaning Kit (FG5968-16)</li><li>•MXA-USB-C, USB Port Covers for the Modero X/S Series Touch Panels (FG5968-18)</li><li>•MXA-HST, Bluetooth Handset for Modero X/S Series Touch Panels (FG5968-17)</li><li>•MXA-UENET-PAN, Video Acceleration Cable for Modero X 19.4" and 20.3" Touch Panels (FG5968-74)</li><li>•MXA-G5-UPG-19/20T, Upgrade Kit and Service, Modero X G4 to Modero X G5 (FG5968-78)</li></ul>
--	----------------------------------------------------------------------------------------------------------------------------------------------------------------------------------------------------------------------------------------------------------------------------------------------------------------------------------------------------------------------------------------------------------------------------------------------------------------------------------------------------------------------------------------------------------------------------------

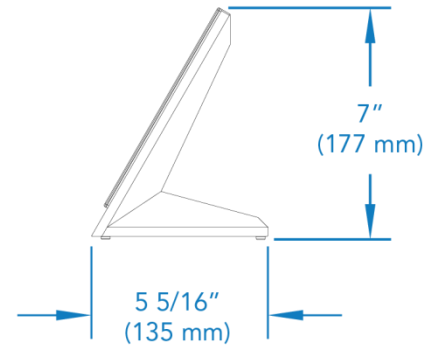
For a more detailed pictorial drawing please visit: <http://www.amx.com//assets/drawings/95-5968-02.pdf>



MXT-1900XL-PAN  
(Isometric View)



MXT-1900XL-PAN  
(Front View)



MXT-1900XL-PAN  
(Right View)

**About AMX by HARMAN**

Founded in 1982 and acquired by HARMAN in 2014, AMX® is dedicated to providing AV solutions for an IT World. AMX solves the complexity of managing technology with reliable, consistent and scalable systems comprising control, video switching and distribution, digital signage and technology management. AMX systems are deployed worldwide in conference rooms, classrooms, network operation/command centers, homes, hotels, entertainment venues and broadcast facilities, among others. AMX is part of the HARMAN Professional Group, the only total audio, video, lighting, and control vendor in the professional AV market. HARMAN designs, manufactures and markets premier audio, video, infotainment and integrated control solutions for the automotive, consumer and professional markets. Revised 11.14.14. ©2014 Harman. All rights reserved. Specifications subject to change.

[www.amx.com](http://www.amx.com) | +1.469.624.7400 | 800.222.0193