

10.1" Modero X[®] Series Tabletop Touch Panel

MXT-1000 (FG5968-03)



Overview

The MXT-1000 / 10.1" Modero X[®] Series Panoramic Tabletop Touch Panel is a premium user interface designed specifically for dedicated room control. This elegantly-styled touch panel provides fast and smooth animations and transitions, along with elegant styling that looks great in any setting. This new generation of touch panels is built for usability, offering edge-to-edge capacitive touch glass with multi-touch capabilities. It features advanced technology empowering users to operate AV equipment seamlessly, while providing the ultimate in audio and video quality.

The Modero X Series Touch Panels provide several industry firsts including a beautiful, capacitive multi-touch screen that provides users access to multiple applications with minimal navigation. It is hardware-ready to support Near Field Communication™ (NFC) Technology to allow personalization of the user experience and productivity-enhancing capabilities through integration with NFC capable personal devices. The distinctive, low-profile design is engineered to sit perfectly on a table without obstructing views, and comes with a variety of mounting options for added security and convenience.

Common Applications

- The MXT-1000 is ideal for boardrooms, conference rooms or auditoriums where a panoramic control surface is needed to provide access to multiple functions simultaneously while remaining elegantly unobtrusive.
- In Higher Education, the MXT-1000 is ideal for lecture halls, auditoriums, performing arts theaters and boardrooms that require extensive control capabilities.

- In residences, it is perfect for main living areas such as kitchens, living rooms, home theaters or home offices where the panoramic control surface can be used to manage systems throughout the house.

Features

- **Graphic Leaps & Bounds** – The Modero X Series includes intuitive UI functionality including: gesturing, swiping, dynamic reordering and enhanced animation capabilities
- **Latest Communication Technologies** – Supports HD video chat and conferencing using integrated camera (tabletop and landscape versions only) and supports Near Field Communication (NFC). Also supports external phone connections via Bluetooth or USB and HD video streaming
- **Perfect From Any Angle** – Includes In-Plane Switching (IPS), which delivers the widest viewing angles and the most accurate color reproduction on the market
- **Enhanced Usability** – External phone connections via Bluetooth or USB and HD video streaming

Specifications

| TOUCH SCREEN DISPLAY | |
|----------------------|--|
| Display Type | TFT Active Matrix Color LCD with In-plane Switching Technology (IPS) |
| Display Size (WH) | 9.9" x 6.7" (252 mm x 170 mm), 12.0" (304 mm) diagonal |
| Viewable Area (WH) | 8.5" x 5.3" (217mm x 136mm), 10.1" (257mm) diagonal |
| Resolution (WH) | 1280x800 |
| Aspect Ratio (WH) | 16:9 |
| Brightness | 400 cd/m2 |
| Contrast Ratio | 700:1 |
| Color Depth | 16.7M colors |
| Illumination | LED |
| Touch Overlay | Projected capacitive, multi-touch support, 3 simultaneous max |
| Viewing Angle | Vertical ± 89°, Horizontal ± 89° |

| MEMORY | |
|----------------------|--------------------------------|
| SDRAM | 512 MB |
| Flash | 4 GB |
| Maximum Project Size | 2.4 GB flash available to user |

| COMMUNICATIONS | |
|--------------------------------|--|
| ETHERNET | 10/100 port, RJ-45 connector. Supported IP and IP-Based Protocols: UCP, TCP, ICMP, ICSP, IGMP, DHCP, Telnet, FTP, DNS, RFB (for VNC), HTTP |
| USB | (2) USB host 2.0, Type A ports (1 with limited physical access requiring right angle connection): Firmware upgrade, touch panel file transfer, JPEG image viewer, HID peripherals, USB audio output for headsets (1) Micro-USB device port: video output from on-board camera (landscape touch panel only), USB audio from on-board microphone to host device |
| Near Field Communication (NFC) | Supports standards ISO/IEC 15693, ISO/IEC 14443A, ISO/IEC 14443B; Unique Identifier (UID), typ range = .25", max = .5" |
| Bluetooth | Mouse/Keyboard: HID Profile v1.1, requires MXA-BT Bluetooth Adapter (FG5968-19) |

| | |
|--|---|
| | Handset: Hands Free Profile v1.5, Headset Profile v1.2, requires MXA-BT Bluetooth Adapter (FG5968-19) and MXA-HST Bluetooth Handset (FG5968-17) |
|--|---|

| VIDEO | |
|------------------------------------|---|
| Supported Video Codecs | MPEG2-TS: MPEG-2 Main Profile @High Level up to 720p at 25 fps (decode only) MPEG-2-TS: H.264 High Profile @Layer 4, AAC-LC up to 720p at 25 fps (encode/decode) MJPEG up to 720p at 25 fps (decode only) |
| Supported Video Transport Streams | MPEG-TS for MPEG2 and H.264; HTTP for MJPEG |
| Max Number of Active Video Streams | One decode plus one encode |
| Video Output | Camera video output: H.264, up to 720p@25 fps via Micro-USB port only (controlled by host device) |
| Video Conferencing | Panel-to-panel and video chat |

| AUDIO | |
|------------------------|---|
| Microphone | -42dB +/- 3dB sensitivity FET microphone |
| Speakers | 4 ohm, 2 Watt, 300Hz cutoff frequency |
| Supported Audio Codecs | MP2 Layer I and II, MP3 (8 kHz, 11.025 kHz, 12 kHz, 16 kHz, 22.05 kHz, 24 kHz, 32 kHz, 44.1 kHz, 48 kHz) AAC-LC (8 kHz, 96 kHz) G.711 with μ Law (VoIP encode/decode at 8kHz) |
| Audio Output | USB Audio out USB port (head/hand set support) |
| File Formats | WAV, MP3 (as part of touch panel file only - no USB storage) |
| Intercom | Full Duplex VoIP, SIP v2.0 (supported with AMX-CSG) |

| GRAPHICS ENGINE | |
|-----------------|--|
| AMX G4 | G4 enhanced feature set supporting multi-touch and gestures, scrolling, transitions - See TPD4 Operations Guide for more information |

| EMBEDDED APPLICATIONS | |
|-----------------------|---|
| Remote Management | VNC Server, G4 Web Control, AMX Resource Management Suite |
| Video Conferencing | Panel-to-panel and video chat |
| Audio Conferencing | Audio (full duplex intercom) |

| FRONT PANEL COMPONENTS | |
|------------------------|---|
| Light Sensor | Photosensitive light detector for automatic adjustment of the panel brightness |
| Proximity Detector | Max range = ~3', typ range = ~1', FOV = ~10 degrees |
| Camera | HD 720p camera for video conferencing/video chat support |
| LED Indicators | Camera active indicator (models with camera only) |
| Sleep Button | Sleep button to activate sleep mode and powering off. Also provides access to setup pages (can be disabled) |

| CONNECTIONS | |
|-------------|---|
| Ethernet | 10/100 port, RJ-45 connector through cable extension |
| USB | (2) USB host 2.0, Type A ports (1) Micro-USB device port |
| Power | PoE (Power over Ethernet), 802.3af, class 3 |

| ENVIRONMENTAL | |
|----------------------------|---|
| Temperature (Operating) | 32° F to 104° F (0° C to 40° C) |
| Temperature (Storage) | 4° F to 140° F (-20° C to 60° C) |
| Humidity (Operating) | 20% to 85% RH |
| Humidity (Storage) | 5% to 85% RH |
| Power ("Heat") Dissipation | On: 21.3 BTU/hr Standby: 10.6 BTU/hr |

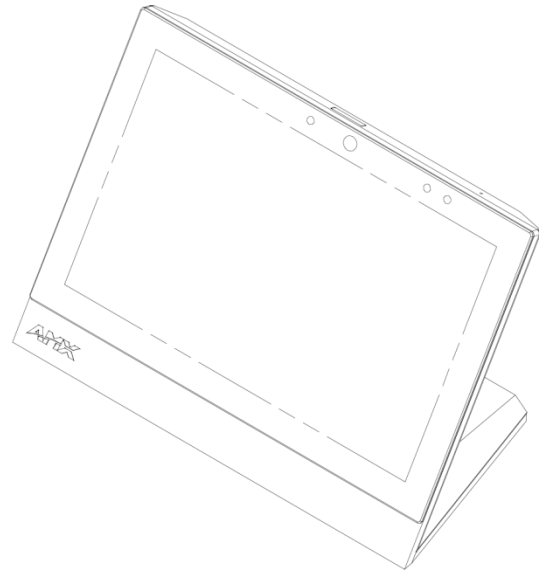
| GENERAL | |
|--------------------------------|--|
| Dimensions (HWD) | 6 14/16" x 9 14/16" x 4 14/16" (174 mm x 252 mm x 124 mm) |
| Weight | 3.0 lbs (1.36 Kg) |
| Power Consumption | Full-On: 8 W (max) Standby: 3.2 W Shutdown: 1 W |
| Start-Up Inrush Current | Not applicable due to PoE standard |
| External Power Supply Required | Optimal performance requires use of one of the following AMX PoE power supplies (not included): PS-POE-AF-TC, PoE Injector, 802.3AF Compliant (FG423-83) NXA-ENET8-2POE, Gigabit PoE Ethernet Switch (FG2178-63) |
| Certifications | FCC Part 15 Class B CE EN 55022 CE EN 55024 CE EN 60950-1 IEC 60950-1 C-Tick CISPR 22 Class B IC UL 60950-1 RoHS WEEE |
| Included Accessories | MXA-USB-C, USB Port Cover Kit, Modero X Series Touch Panel (FG5968-18) HPG-10-10K, 3/4" Mini-Grommet (FG570-01) MXA-CLK, Modero X Series Cleaning Kit (FG5968-16) |
| Optional Accessories | <ul style="list-style-type: none"> •MXA-STMK-10, Secure Table Mount Kit, 10.1" Modero X Tabletop (FG5968-66) •MXA-MP, Modero X/S Series Multi Preview (FG5968-20) •MXA-MPL, Modero X/S Series Multi Preview Live (FG5968-10) •PS-POE-AF-TC, PoE Injector, 802.3AF Compliant (FG423-83) •HPG-10-10K, 3/4" Mini-Grommet, 10-Pack (FG570-01-10K) •MXA-BT, Bluetooth USB Adapter for Modero X/S Series Touch Panels (FG5968-19) •MXA-CLK, Modero X/S Series Screen Cleaning Kit (FG5968-16) |

| | |
|--|--|
| | <ul style="list-style-type: none">•NXA-ENET8-2POE, Gigabit Ethernet Switch (FG2178-63)•MXA-USB-C, USB Port Covers for the Modero X/S Series Touch Panels (FG5968-18)•MXA-HST, Bluetooth Handset for Modero X/S Series Touch Panels (FG5968-17)•MXA-UENET, Video Acceleration Cable for Modero X 10.1" and 7" Touch Panels (FG5968-75)•MXA-G5-UPG-10T Upgrade Kit and Service, Modero X G4 to Modero X G5 (FG5968-80) |
|--|--|

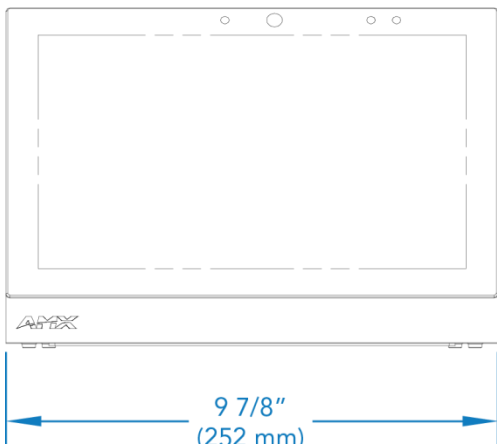
For a more detailed pictorial drawing please visit: <http://www.amx.com/assets/drawings/95-5968-03.pdf>



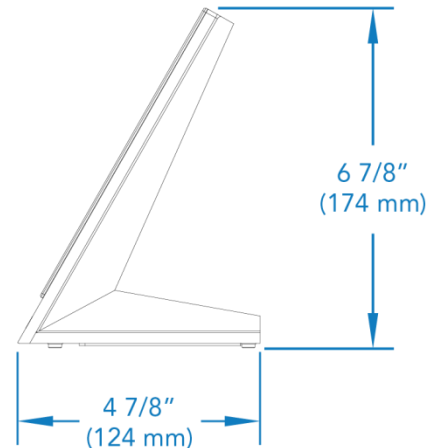
MXT-1000
(Back View)



MXT-1000
(Isometric View)



MXT-1000
(Front View)



MXT-1000
(Right View)

About AMX by HARMAN

Founded in 1982 and acquired by HARMAN in 2014, AMX® is dedicated to providing AV solutions for an IT World. AMX solves the complexity of managing technology with reliable, consistent and scalable systems comprising control, video switching and distribution, digital signage and technology management. AMX systems are deployed worldwide in conference rooms, classrooms, network operation/command centers, homes, hotels, entertainment venues and broadcast facilities, among others. AMX is part of the HARMAN Professional Group, the only total audio, video, lighting, and control vendor in the professional AV market. HARMAN designs, manufactures and markets premier audio, video, infotainment and integrated control solutions for the automotive, consumer and professional markets. Revised 11.14.14. ©2014 Harman. All rights reserved. Specifications subject to change.

www.amx.com | +1.469.624.7400 | 800.222.0193