

10.1" Modero X[®] Series Wall Mount Touch Panel

MXD-1000-P (FG5968-07) Portrait Wall Mount Touch Panel

MXD-1000-L (FG5968-13) Landscape Wall Mount Touch Panel



Overview

The MXD-1000 / 10.1" Modero X[®] Series Wall Mount Touch Panel is a premium user interface designed for dedicated room control or scheduling. This elegantly-styled touch panel provides fast and smooth animations and transitions, along with elegant styling that looks great in any setting.

The Modero X Series Touch Panels provide several industry firsts including a beautiful, capacitive multi-touch screen that provides users access to multiple applications with minimal navigation. It is hardware-ready to support Near Field Communication™ (NFC) Technology to allow personalization of the user experience and productivity-enhancing capabilities through integration with NFC capable personal devices. The distinctive appearance will complement even the most sophisticated meeting facilities and homes, with a variety of mounting options for added security and convenience.

Common Applications

- The MXD-1000 is ideal for boardrooms, conference rooms or auditoriums where a panoramic control surface is needed to provide access to multiple functions simultaneously while remaining elegantly unobtrusive.
- In Higher Education, the MXD-1000 is ideal for lecture halls, auditoriums, performing arts theaters and boardrooms that require extensive control capabilities.

- In residences, it is perfect for kitchens, bedrooms or home offices where it can be used to manage systems throughout the home.
- The MXD-1000 can be used as a scheduling panel for high-end meeting rooms and auditoriums.
- All Modero X Series Wall Mount panels are ideal for reception areas or other gathering places for displaying master calendars and other information.

Features

- **Graphic Leaps & Bounds** – The Modero X Series includes intuitive UI functionality including: gesturing, swiping, dynamic reordering and enhanced animation capabilities
- **Latest Communication Technologies** – Supports HD video chat and conferencing using integrated camera (tabletop and landscape versions only) and supports Near Field Communication (NFC). Also supports external phone connections via Bluetooth or USB and HD video streaming
- **Perfect From Any Angle** – Includes In-Plane Switching (IPS), which delivers the widest viewing angles and the most accurate color reproduction on the market
- **Enhanced Usability** – External phone connections via Bluetooth or USB and HD video streaming
- **Generous Mounting Options** – In addition to wall mount, you can mount the 10.1" Modero X Series Landscape Wall/Flush Mount Touch Panel directly to an equipment rack using the optional MXA-RMK-10 Modero X Series Rack Mount Kit (FG5969-62)

Specifications

TOUCH SCREEN DISPLAY	
Display Type	TFT Active Matrix Color LCD with In-plane Switching Technology (IPS)
Display Size (WH)	Landscape: 9.9" x 6.7" (252 mm x 170 mm), Portrait: 6.7" x 9.9" (170 mm x 252 mm), 12.0" (304 mm) diagonal
Viewable Area (WH)	Landscape: 8.5" x 5.3" (217mm x 136mm), Portrait: 5.3" x 8.5" (136 mm x 217 mm), 10.1" (257mm) diagonal
Resolution (WH)	Landscape: 1280x800, Portrait: 800x1280
Aspect Ratio (WH)	Landscape: 16:9, Portrait: 9:16
Brightness	400 cd/m2
Contrast Ratio	700:1
Color Depth	16.7M colors
Illumination	LED
Touch Overlay	Projected Capacitive, multi-touch support, 3 simultaneous max
Viewing Angle	Vertical ± 89°, Horizontal ± 89°

MEMORY	
SDRAM	512 MB
Flash	4 GB
Maximum Project Size	2.4 GB flash available to user

COMMUNICATIONS	
ETHERNET	10/100 port, RJ-45 connector. Supported IP and IP-Based Protocols: UCP, TCP, ICMP, ICSP, IGMP, DHCP, Telnet, FTP, DNS, RFB (for VNC), HTTP
USB	(2) USB host 2.0, Type A ports (1 with limited physical access requiring right angle connection): Firmware upgrade, touch panel file transfer, JPEG image viewer, HID peripherals, USB audio output for headsets

	(1) Micro-USB device port: video output from on-board camera (landscape touch panel only), USB audio from on-board microphone to host device
Near Field Communication (NFC)	Supports standards ISO/IEC 15693, ISO/IEC 14443A, ISO/IEC 14443B; Unique Identifier (UID), typ range = .25", max = .5"
Bluetooth	<p>Mouse/Keyboard: HID Profile v1.1, requires MXA-BT Bluetooth Adapter (FG5968-19)</p> <p>Handset: Hands Free Profile v1.5, Headset Profile v1.2, requires MXA-BT Bluetooth Adapter (FG5968-19) and MXA-HST Bluetooth Handset (FG5968-17)</p>

VIDEO	
Supported Video Codecs, Landscape Model (FG5968-13)	<p>MPEG-2-TS: MPEG-2 Main Profile@High Level up to 720p at 25 fps (decode only)</p> <p>MPEG-2-TS: H.264 High Profile@Layer 4, AAC-LC up to 720p at 25 fps (encode/decode)</p> <p>MJPEG up to 720p at 25 fps (decode only)</p>
Supported Video Codecs, Portrait Model (FG5968-07)	<p>MPEG-2-TS: MPEG-2 Main Profile@High Level up to 720p at 25 fps (decode only)</p> <p>MPEG-2-TS: H.264 High Profile@Layer 4, AAC-LC up to 720p at 25 fps (decode)</p> <p>MJPEG up to 720p at 25 fps (decode only)</p>
Supported Video Transport Streams	MPEG-TS for MPEG2 and H.264; HTTP for MJPEG
Max Number of Active Video Streams	Portrait: One decode Landscape: One decode plus one encode
Video Conferencing, Landscape Model (FG5968-13)	Panel-to-panel and video chat
Video Conferencing, Portrait Model (FG5968-07)	Panel-to-panel and video chat (the portrait wall mount receives video and returns audio)
Video Output, Landscape Model Only (FG5968-13)	Camera video output: H.264, up to 720p@25 fps via Micro-USB port only (controlled by host device)

AUDIO	
Microphone	-42dB +- 3dB sensitivity FET microphone
Speakers	4 ohm, 2 Watt, 300Hz cutoff frequency
Supported Audio Codecs	<p>MP2 Layer I and II, MP3 (8 kHz, 11.025 kHz, 12 kHz, 16 kHz, 22.05 kHz, 24 kHz, 32 kHz, 44.1 kHz, 48 kHz)</p> <p>AAC-LC (8 kHz, 96 kHz)</p> <p>G.711 with μLaw (VoIP encode/decode at 8kHz)</p>
Audio Output	USB Audio out Micro-USB port (head/hand set support)
File Formats	WAV, MP3 (as part of touch panel file only - no USB storage)
Intercom	Full Duplex VoIP, SIP v2.0 (supported with AMX-CSG)

GRAPHICS ENGINE	
AMX G4	G4 enhanced feature set supporting multi-touch and gestures, scrolling, transitions - See TPD4 Operations Guide for more information

EMBEDDED APPLICATIONS	
Remote Management	VNC Server, G4 Web Control, AMX Resource Management Suite
Video Conferencing	Panel-to-panel and video chat
Audio Conferencing	Audio (full duplex intercom)

FRONT PANEL COMPONENTS	
Light Sensor	Photosensitive light detector for automatic adjustment of the panel brightness
Proximity Detector	Max range = ~3', typ range = ~1', FOV = ~10 degrees
Camera, Landscape Model Only (FG5968-13)	HD 720p camera for video conferencing/video chat support
LED indicators, Landscape Model Only (FG5968-13)	Camera active indicator (models with camera only)
Sleep Button	Sleep button to activate sleep mode and powering off. Also provides access to setup pages (can be disabled)

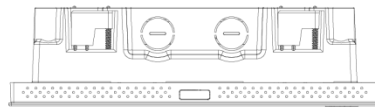
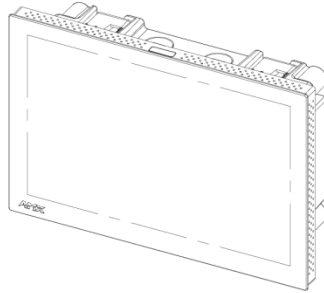
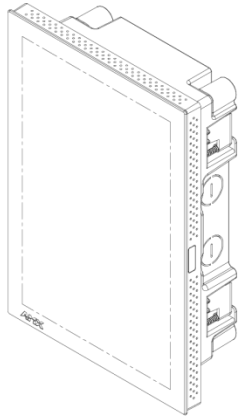
CONNECTIONS	
Ethernet	10/100 port, RJ-45 connector
USB	(2) USB host 2.0, Type A ports (1) Micro-USB device port
Power	PoE (Power over Ethernet), 802.3af, class 3

ENVIRONMENTAL	
Temperature (Operating)	32° F to 104° F (0° C to 40° C)
Temperature (Storage)	4° F to 140° F (-20° C to 60° C)
Humidity (Operating)	20% to 85% RH
Humidity (Storage)	5% to 85% RH
Power ("Heat") Dissipation	On: 21.3 BTU/hr Standby: 10.6 BTU/hr

GENERAL	
Dimensions (HWD)	Landscape: 6 11/16" x 9 7/8" x 2 5/8" (171 mm x 252 mm x 67 mm), Portrait: 9 7/8" x 6 11/16" x 2 5/8" (252 mm x 171 mm x 67 mm)
Weight	2.0 lbs (0.91 Kg)
Power Consumption	Full-On: 8 W (max.) Standby: 3.2 W Shutdown: 1 W
Start-Up Inrush Current	Not applicable due to PoE standard
External Power Supply Required	AMX recommends using one of these AMX approved PoE power supplies (not included): PS-POE-AF-TC, PoE Injector, 802.3AF Compliant (FG423-83) NXA-ENET8-2POE, Gigabit PoE Ethernet Switch (FG2178-63)
Certifications	FCC Part 15 Class B CE EN 55022 CE EN 55024 CE EN 60950-1 IEC 60950-1 C-Tick CISPR 22 Class B IC UL 60950-1

	RoHS WEEE
Included Accessories	<ul style="list-style-type: none"> •MXA-USB-C, USB Port Cover Kit, Modero X Series Touch Panel (FG5968-18) •3/4" Mini-Grommet (FG570-01) •MXA-CLK, Modero X Series Cleaning Kit (FG5968-16) •MXD-1000 Installation Guide (93-5968-07)
Optional Accessories	<ul style="list-style-type: none"> •MXA-FMK-10, Flush Mount Kit, 10" Modero X Wall Mount (FG5968-70) •MXA-RMK-10, Rack Mount Kit for 10" Modero X Series Landscape Wall Mount Touch Panel (FG5969-62) •MXA-MP, Modero X/S Series Multi Preview (FG5968-20) •MXA-MPL, Modero X/S Series Multi Preview Live (FG5968-10) •PS-POE-AF-TC, PoE Injector, 802.3AF Compliant (FG423-83) •CB-MXP10, Rough-In Box and Cover Plate for the 10" Wall Mount Modero X Series Touch Panels (FG039-17) •CB-MXP10-F, Flush Mount Rough-In Box and Cover Plate, for use with MXA-FMK-10 Flush Mount Kit for 10.1" Modero X Wall Mount Touch Panels (FG5968-84) •MXA-BT, Bluetooth USB Adapter for Modero X/S Series Touch Panels (FG5968-19) •MXA-CLK, Modero X/S Series Screen Cleaning Kit (FG5968-16) •NXA-ENET8-2POE, Gigabit Ethernet Switch (FG2178-63) •MXA-USB-C, USB Port Covers for the Modero X Series Touch Panels (FG5968-18) •MXA-HST, Bluetooth Handset for Modero X/S Series Touch Panels (FG5968-17) •MXA-UENET, Video Acceleration Cable for Modero X 10.1" and 7" Touch Panels (FG5968-75) •MXA-G5-UPG, Upgrade Kit and Service, Modero X G4 to Modero X G5 (FG5968-79)

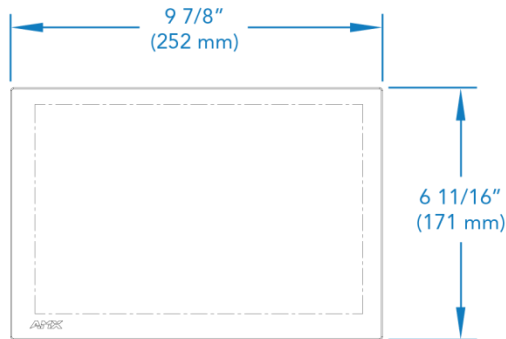
For more detailed pictorial drawings please visit: <http://www.amx.com/products/MXD-1000.asp>



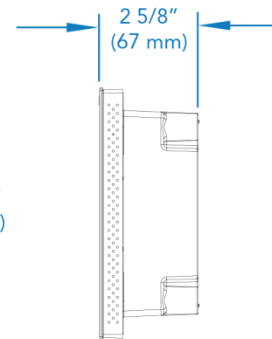
MXD-1000-L
(Landscape - Top View)



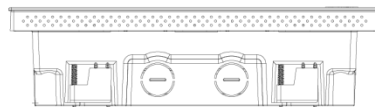
MXD-1000-P
(Portrait - Front View)



MXD-1000-L
(Landscape - Front View)



MXD-1000-L
(Landscape - Right View)



MXD-1000-L
(Landscape - Bottom View)

About AMX by HARMAN

Founded in 1982 and acquired by HARMAN in 2014, AMX® is dedicated to providing AV solutions for an IT World. AMX solves the complexity of managing technology with reliable, consistent and scalable systems comprising control, video switching and distribution, digital signage and technology management. AMX systems are deployed worldwide in conference rooms, classrooms, network operation/command centers, homes, hotels, entertainment venues and broadcast facilities, among others. AMX is part of the HARMAN Professional Group, the only total audio, video, lighting, and control vendor in the professional AV market. HARMAN designs, manufactures and markets premier audio, video, infotainment and integrated control solutions for the automotive, consumer and professional markets. Revised 11.17.14. ©2014 Harman. All rights reserved. Specifications subject to change.

www.amx.com | +1.469.624.7400 | 800.222.0193