

6-Button ControlPad (US, UK and Europe)

CP-3006-BA (FG1302-06-A), Aluminum

CP-3006-BL (FG1302-06-B), Black

CP-3006-WH (FG1302-06-W), White



Overview

The Novara[®] CP-3006 ControlPad with built-in Ethernet port combines a controller with an easy to use 6-button keypad that mounts into a standard 1 gang US, UK, or EU back box. Setting up the Novara 3000 Series ControlPads is simple using Novara Device Configuration Software (DCS) and requires no programming. The Novara ControlPads built-in IR and RS-232 ports can be configured to control volume, input selection and power for a wide range of AV devices including projectors, DVD players and switchers. Easily connect to AMX's Resource Management Suite[®] which enables web-based remote diagnostics and management through the built-in Ethernet Port. The Novara 3000 Series ControlPads are available in Black, White and Aluminum finishes.

Common Applications

Use as a standalone user interface/controller for simple conference rooms/classrooms or combine with an Enova[®] AVX-400 for more complex rooms with switching as well as amplification requirements.

Features

- **All-in-one Keypad/Controller** – Unique product is a standalone user interface combined with an onboard controller
- **RMS Compatible** – Remotely monitor, manage and control every room on the network
- **Built in Ethernet Port** – Allows the Novara ControlPad to communicate with RMS
- **Network Configurable** – Configure/update an entire campus/facility simultaneously
- **Device Configuration Software (DCS)** - No programming required for system setup

Control Features

- **Display Monitoring** – Use the ControlPad with RMS to monitor power status, input status, lamp hours and filter hours

- **Web-based Control** – Remotely login to ControlPads and execute button presses
- **Inactivity Timer** – Turn off equipment after lack of activity (timeouts) to save energy
- **Toggle Mode** – Different functions executed based on how many times a button is pressed
- **Bank Mode** – Assign button function based on selected source
- **Built In Control Ports** – Serial and IR ports available to communicate and control common presentation equipment

User Interface Features

- **Backlit Buttons** – Can flash or turn off when pressed
- **Security Lockout** - Locks out the device to prevent unauthorized use
- **Standard Enclosures** – Standard back box mounting options for US, UK and EU

Discovering ControlPads on the Network

- **ZeroConfig** – Automatically detect devices on the network simplified commissioning
- **Manually Search** – Enter an IP address or Hostname and DCS will search across subnets

Configuring ControlPads

- **Device Configuration Software (DCS)** – No programming required for system setup
- **Network Configurable** – Configure/update an entire campus/facility simultaneously
- **Execute Multiple Functions at Once** - Scripts can be written to trigger multiple functions through a single button press
- **Works with AMX IR Files** – Leverage thousands of pre-existing AMX IR files on AMX.com
- **DNS Servers** – Now supports multiple servers
- **CP-RMS Software** – Proxy software that runs on RMS server, required for RMS communication with ControlPads

Novara 3000 Series and Resource Management Suite (RMS)

K-12 schools, universities and businesses can easily integrate independent building systems into a single unified control platform that centralizes management, improves response time and streamlines processes using RMS. The Novara 3000 series built in Ethernet port connects each room to the RMS network delivering a simple way to manage, monitor and schedule rooms and equipment in real time.

Proactively Maintain Equipment

- Maintain real-time monitoring and problem notifications
- Check equipment/system status for equipment errors
- Provides immediate notification when equipment is removed from the network to help reduce theft

Help Desk Support and Monitoring

- Complete diagnostics and remote analysis
- Monitor display devices for power status, input status, lamp hours and filter hours
- Remotely execute button presses to control equipment connected to the ControlPads

Specifications

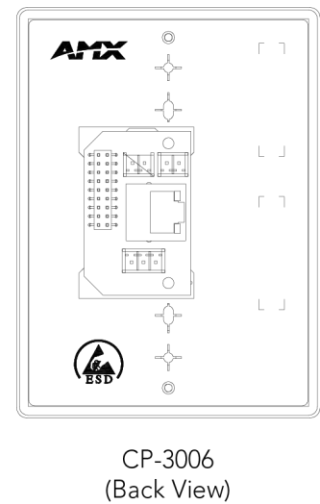
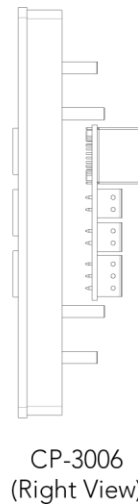
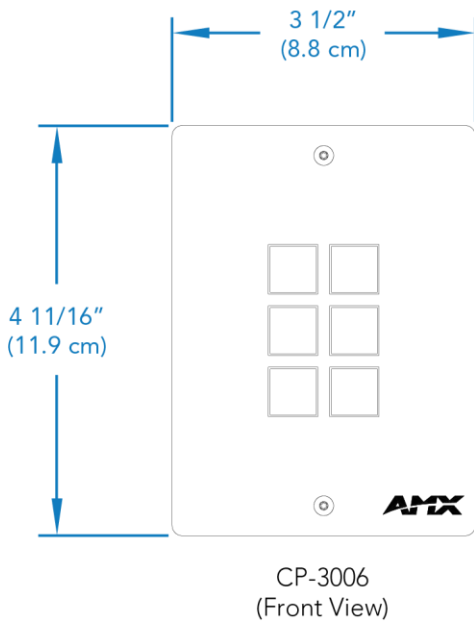
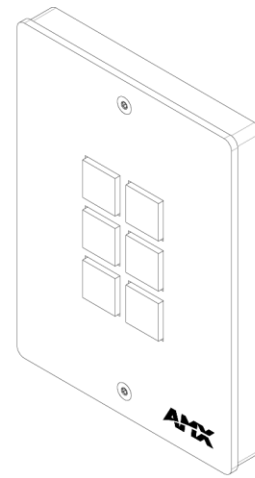
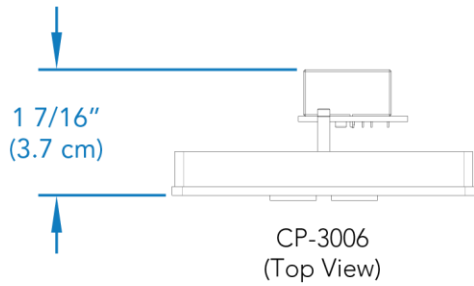
GENERAL	
Dimensions (HWD)	4 11/16" x 3 7/16" x 1 17/16" (11.9 cm x 8.8 cm x 3.7 cm) Mount onto standard 1 gang US, UK, or EU back boxes
Power	12 VDC Using a non-PoE power supply operates on voltages ranging from 9 V to 16 V continuously
Certifications	FCC Class B

	CE UL CB Scheme
Colors Available	Aluminum: FG1302-06-A Black: FG1302-06-B White: FG1302-06-W
Included Accessories	Power Supply, 90-240 VACIN, 12 VOUT, 500 MA (24-5791-SA) Pre-printed labels (40-0087)
Recommended Accessories	CC-NIRC, IR Emitter Cable (FG10-000-11) PS-PoE-EXO.9, PoE Extractor for Novara 3000 Series Control Pads (FG423-85) Series ControlPads

ENVIRONMENTAL	
Temperature (Operating)	32° to 104° F (0° to 40° C)
Humidity (Relative)	5% to 85%, non-condensing
Temperature (Storage)	14° to 140° F (-10° to 60° C)

FRONT PANEL COMPONENTS	
Button Layout	(6) blue backlit buttons with programmable feedback

REAR PANEL COMPONENTS	
Power	(1) 2-pin Phoenix connector accepting 12 VDC power
Serial	(1) 3-pin Phoenix connector for RS-232 connections Input voltage: $V_{IH} > +2.7$ VDC, $V_{IL} < -2.7$ VDC Output voltage: $V_{OH} > +5.0$ VDC @ 35 mA maximum, $V_{OL} < -5.0$ VDC @ 35 mA maximum
IR	(1) 2-pin Phoenix connector for IR emitters. Supports generating carriers up to 1.142 MHz. Output only port. Output voltage: $V_{OH} = +3.3$ VDC \pm 0.3 VDC @ 13 mA maximum, $V_{OL} = 0$ VDC \pm 0.3 VDC @ 13 mA maximum
Ethernet	(1) RJ-45 connector for LAN connectivity
Reset	(1) pinhole pushbutton for factory reset
Supported Baud Rates	Up to 115200



About AMX

AMX hardware and software solutions simplify the implementation, maintenance, and use of technology to create effective environments. With the increasing number of technologies and operating platforms at work and home, AMX solves the complexity of managing this technology with reliable, consistent and scalable systems. Our award-winning products span control and automation, system-wide switching and audio/video signal distribution, digital signage and technology management. They are implemented worldwide in conference rooms, homes, classrooms, network operation / command centers, hotels, entertainment venues, broadcast facilities, and more. ©2014 AMX. All rights reserved.

Specifications subject to change. Revised 12-Sept-2014.

AMX.com | 800.222.0193 | 469.624.8000 | +1.469.624.7400 | fax 469.624.7153